



## SPECIFICATION

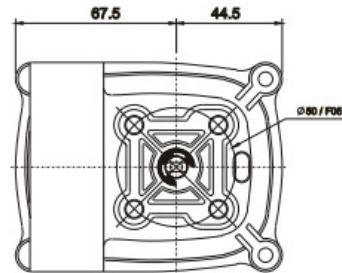
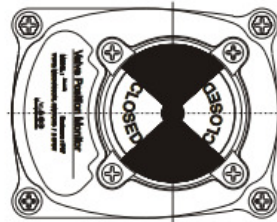
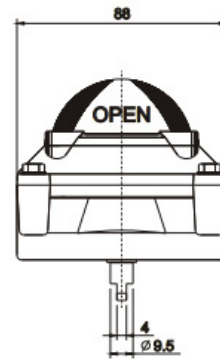
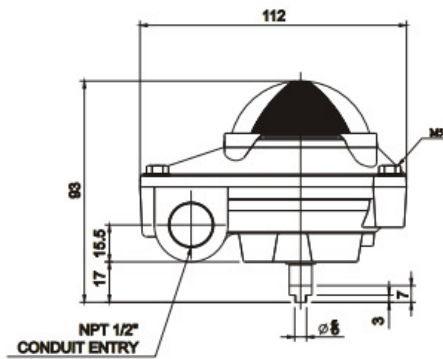
- \* Weatherproof Ip67/ NEMA 4 & 4X
- \* 2SPDT Mechanical switches
- \* Solid and compact design
- \* With open/closed position indicator
- \* NAMUR std. Mounting bracket

## Features

- \* Ambient Temperature: -20°C to +80°C
- \* Dual cable entries: 2 x 1/2" NPT
- \* Terminal Strips: 8 points
- \* Position indicator: Closed(red), Open(yellow)
- \* Aluminium die casting housing
- \* Polyester powder coating

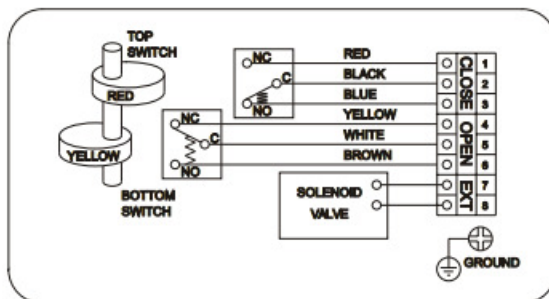
## OPTION

- \* Proximity sensor



## Wiring Diagram

Mechanical Switch (2 SPDT)



## MICRO SWITCH

USED IN APPROVED

TYPE : MECHANICAL SWITCH

POWER : 15A-125 OR 250V AC,

0.6A-125V DC, 0.3A-250V DC

### STANDARD BRACKET:



30°80°20

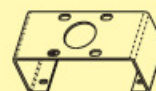
(ALUMINIUM)

### OPTIONS:



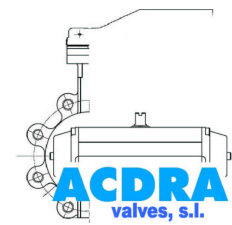
30°80°30  
30°130°30

(ALUMINIUM)



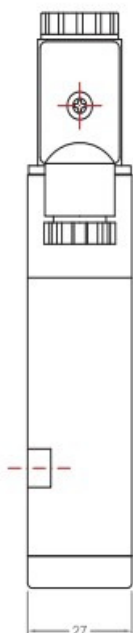
30°80°20  
30°130°30  
30°130°50

(STEEL)



# Namur Accessories

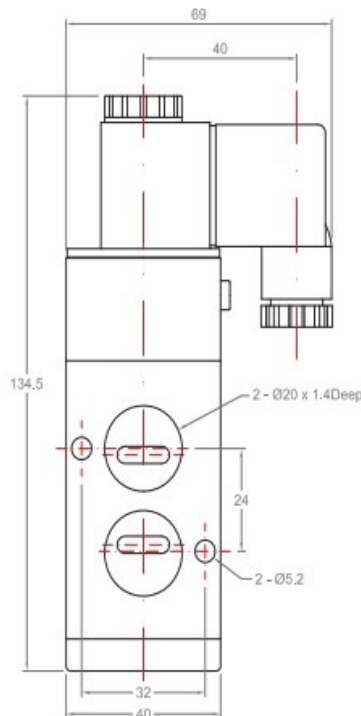
(1) 3/2 Adapter Plate



**3**

5- Position 2- Way  
Namur Solenoid Valve

300 Series

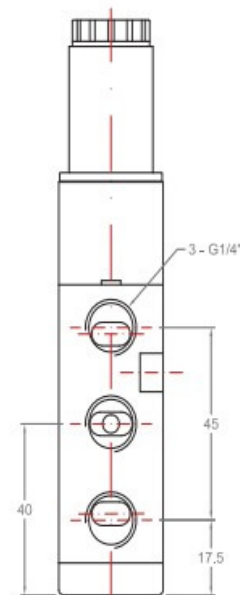


**10**

Number of coil and position  
Single head double position

**08**

Port Size  
G1/4"



**AC110V**

Coil Voltage  
DC12V  
DC24V  
DC110V  
AC24V 50/60Hz  
AC110V 50/60Hz  
AC220V 50/60Hz

Material	Body: Anodized aluminium			Seals: NBR		
	DC12V	DC24V	AC24V	DC110V	AC110V	AC220V
Coil Voltage	DC12V	DC24V	AC24V	DC110V	AC110V	AC220V
Acting type	Internally pilot-actuated					
Position number	5 - Position 2- Way or <sup>(1)</sup> Conversion plate 3 - Position 2- Way					
Port size (G)	1/4"					
Available connector	With Led			-		
Fluid	Air					
Flow	700 L/Min					
Lubrication	Lubricated or not					
Operating Pressure (Mpa)	0.15 ~ 0.8					
Temperature range	5 ~ 60 °C					
Voltage range	±10%					
Power consumption	AC: 4.5VA DC: 3W					